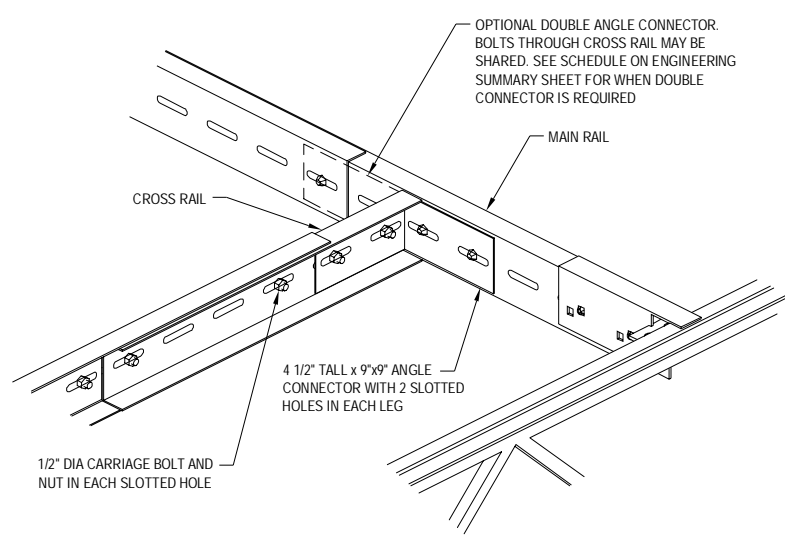
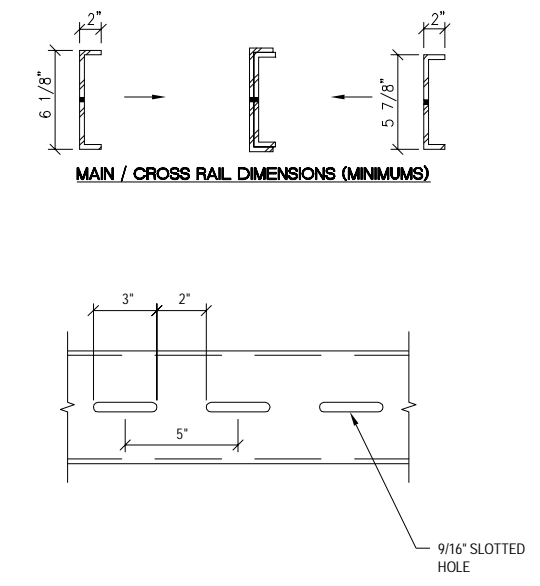


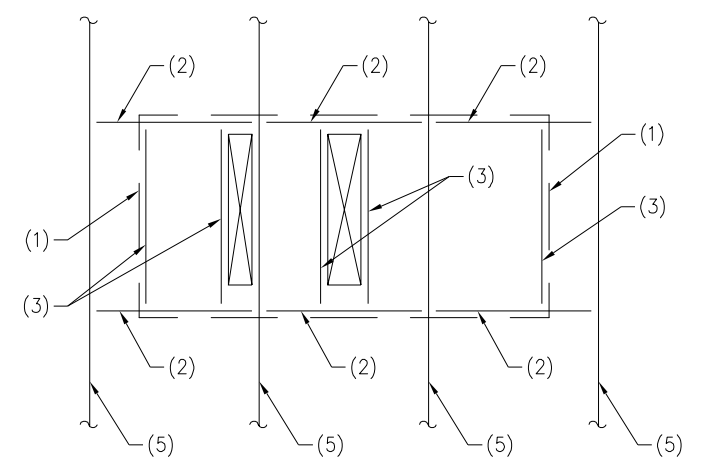
04 DECK CONNECTION TO MAIN/CROSS RAILS NO SCALE



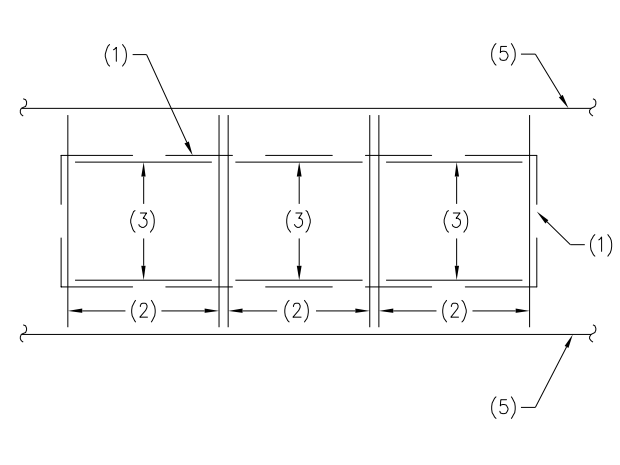
03 ANGLE CONNECTOR DETAIL NO SCALE



01 MAIN/CROSS RAIL NO SCALE



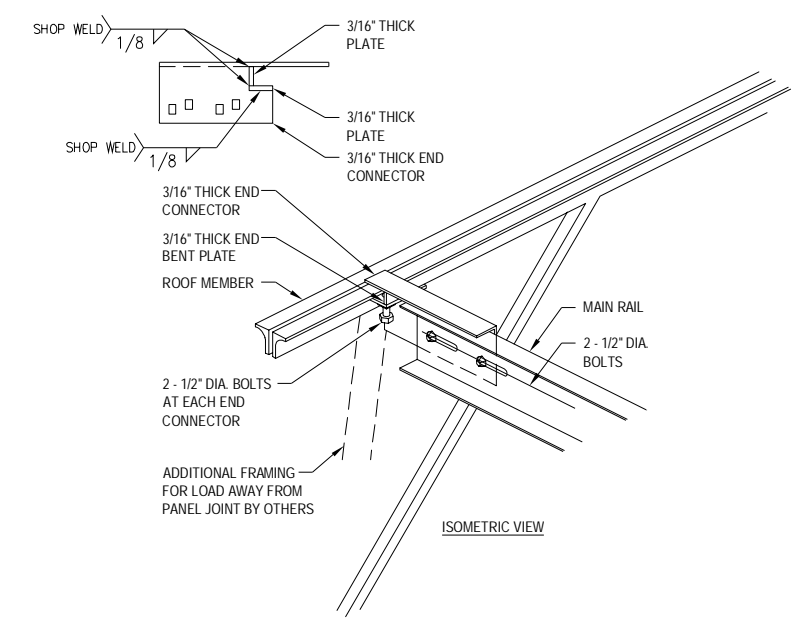
05 QUICKFRAME ROOF FRAME AT MULTIPLE OPENINGS NO SCALE



MULTIPLE QUICKFRAMES WITHIN SAME BAY SUPPORTING RTU:
 - COMPLETE FRAMES MUST BE INSTALLED. SHARING RAILS IS NOT PERMITTED.
 - FOR A CONSERVATIVE CAPACITY, USE "LIGHT MACHINERY" COLUMN OF LOAD TABLE MULTIPLIED BY NUMBER OF COMPLETE FRAMES.

- NOTES:
1. OUTLINE OF MECHL UNIT.
 2. MAIN RAIL.
 3. CROSS RAIL.
 4. OPENING AS REQUIRED.
 5. ROOF FRAMING MEMBER BY OTHERS.

NOTE:
 IF THE CONSERVATIVE LOAD CAPACITY CALCULATION FROM THIS DETAIL IS NOT SUFFICIENT FOR A SPECIFIC LOCATION, CONTACT QUICKFRAME FOR A JOB SPECIFIC DESIGN.



02 END CONNECTOR DETAIL NO SCALE

PRELIMINARY
NOT FOR
CONSTRUCTION

SEAL:

THIS SHEET IS INTENDED FOR GENERAL USE ONLY AND IS NOT CONSIDERED SITE SPECIFIC UNLESS ADDRESS OF SITE IS SHOWN IN TITLE BLOCK AND THE STRUCTURAL ENGINEER OF RECORDS SEAL IS AFFIXED WITH WRITTEN SIGNATURE.

QUICKFRAMES
 NO WELDING. NO PROBLEMS. NO FOOLING.
 135 Westwood #7 Mesa, Arizona 85210
 Office: 480.464.1500 Fax: 480.464.1504
 Website: www.quickframes.us

JOB NUMBER: 15-120-XXX		
DRAWN: TMH	ENGINEER: DEE	CHECKED: SJH
RAIL/CONNECTORS:		SCALE: N.T.S.
DATE: XX/XX/2015		
SHEET: S1A		

TYPICAL DETAIL SHEET REVISION DATE: 10/29/15



**CARUSO
TURLEY
SCOTT
INC.**
 consulting
structural
engineers

1215 W. Rio Salado Pkwy
 Suite 200
 Tempe, Arizona 85281
 (480) 774-1700
 (480) 774-1701 FAX
 www.clsaz.com

XXX
 XXX
 XXX